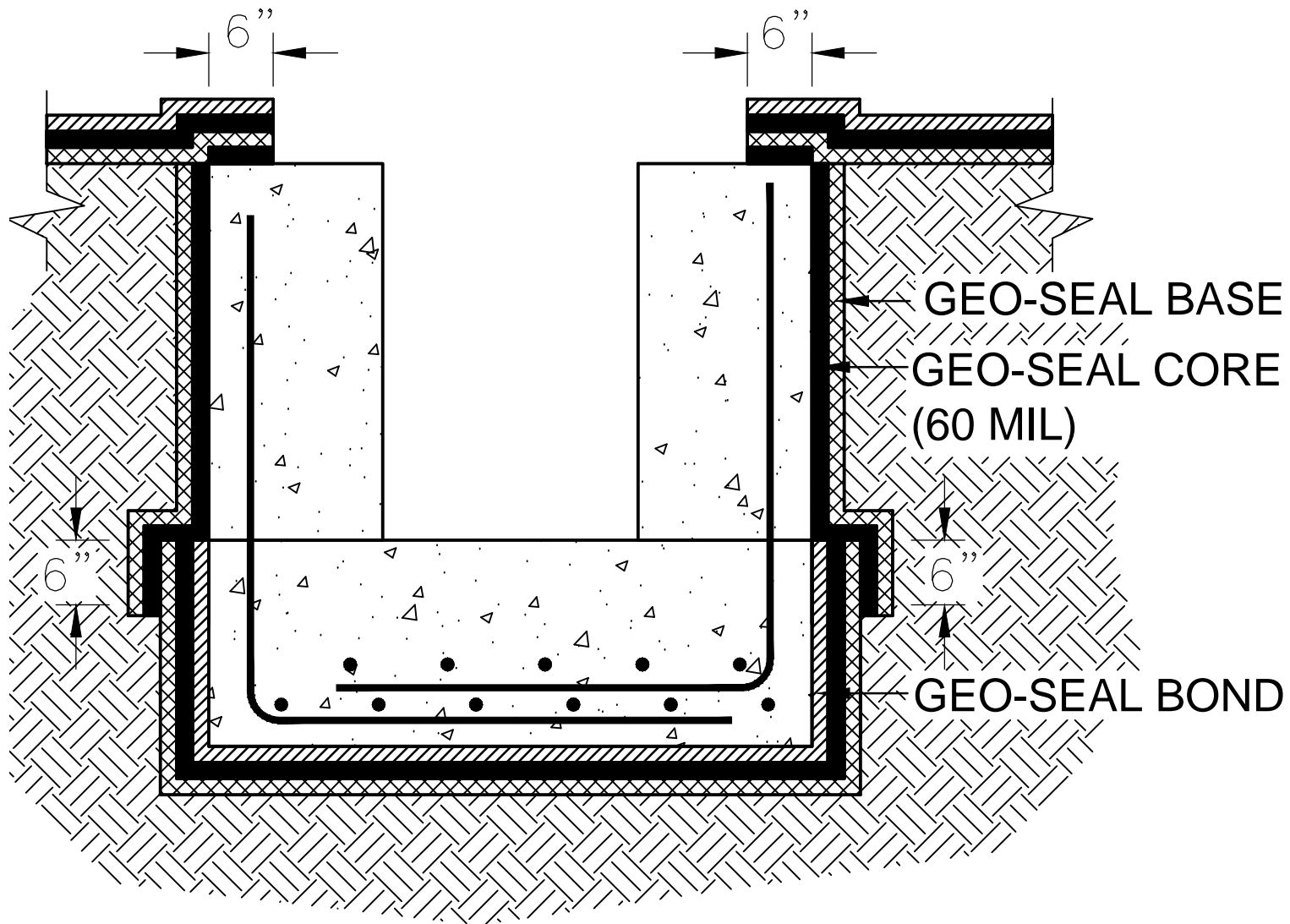




1011 CALLE SOMBRA
SAN CLEMENTE, CA 92673
949.481.8188 OFFICE
WWW.LANDSCIENCETECH.COM
©2010 Land Science Technologies



Geo-Seal[®]
Vapor Intrusion Barrier

DATE _____
SCALE _____
TITLE _____
**ELEVATOR PIT
DETAIL**