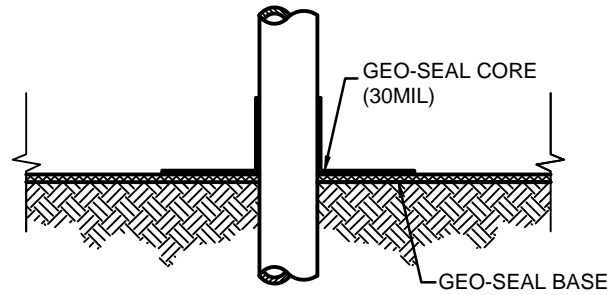
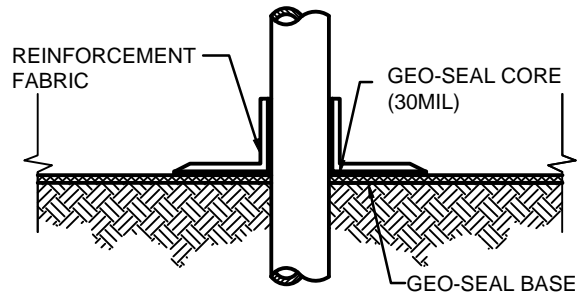




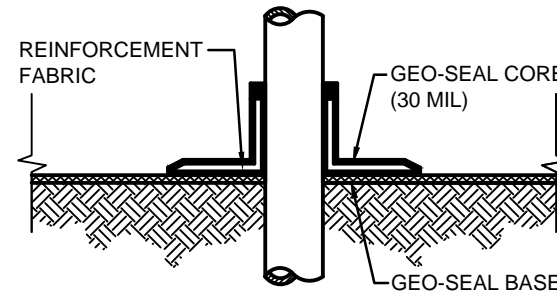
1011 CALLE SOMBRA
SAN CLEMENTE, CA 92673
949.481.8188 OFFICE
WWW.LANDSCIENCETECH.COM
©2010 Land Science Technologies



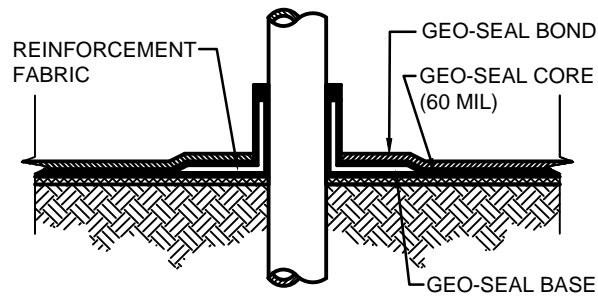
STEP 1



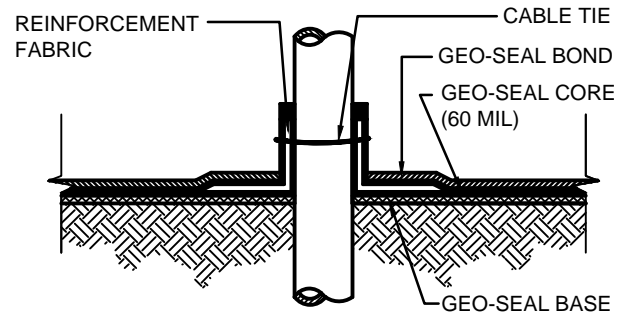
STEP 2



STEP 3



STEP 4



STEP 5

Geo-Seal
Vapor Intrusion Barrier

DATE _____
SCALE _____
TITLE _____

PENETRATION
SEQUENCE