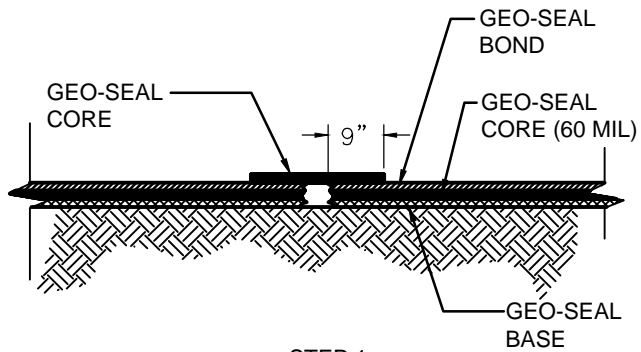
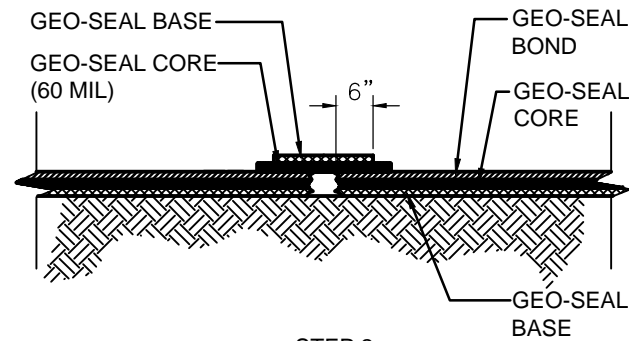
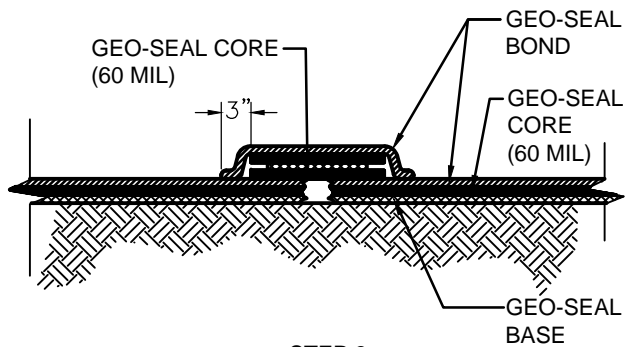

Geo-Seal[®]
 Vapor Intrusion Barrier



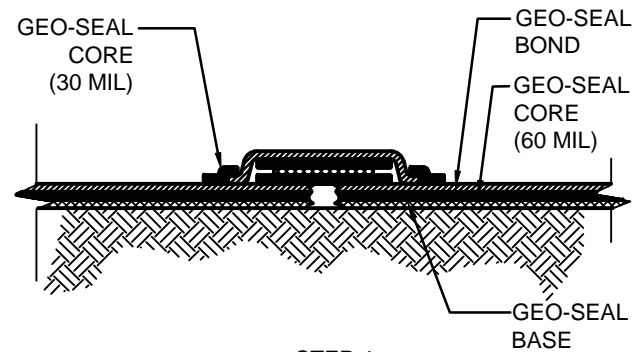
STEP 1



STEP 2



STEP 3



STEP 4

DATE _____
 SCALE _____
 TITLE _____

REPAIR
 SEQUENCE