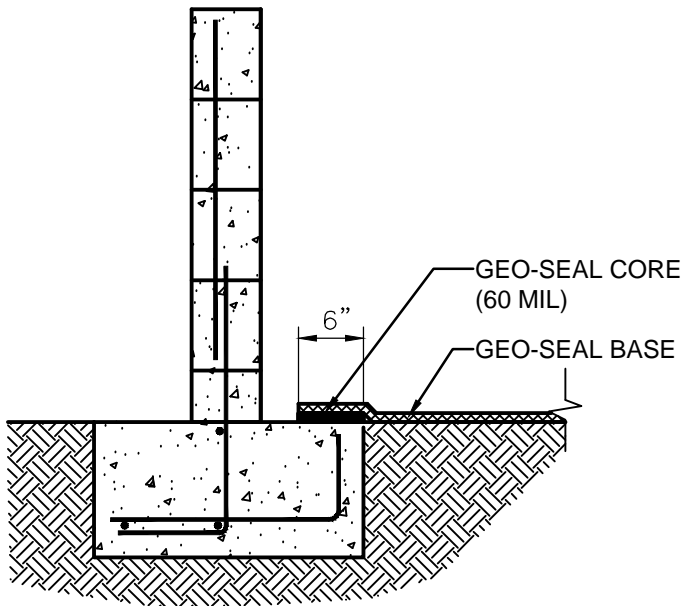




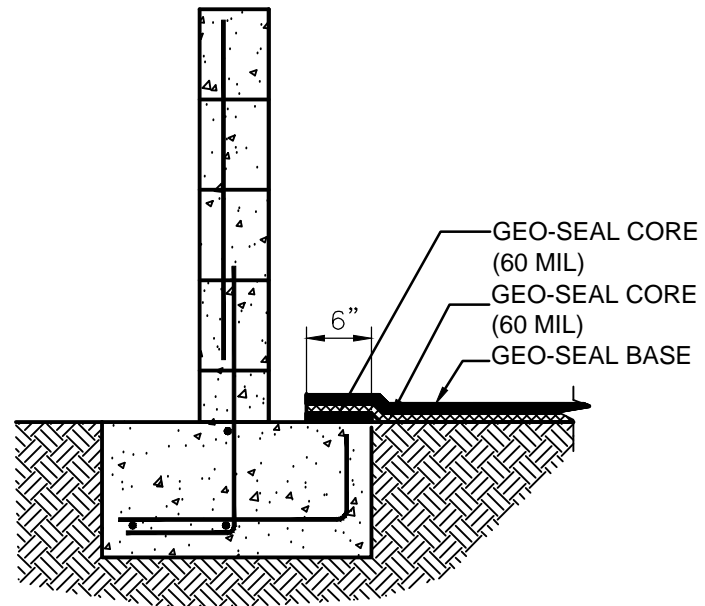
1011 CALLE SOMBRA
SAN CLEMENTE, CA 92673
949.481.8188 OFFICE
WWW.LANDSCIENCETECH.COM
©2010 Land Science Technologies

Geo-Seal[®]

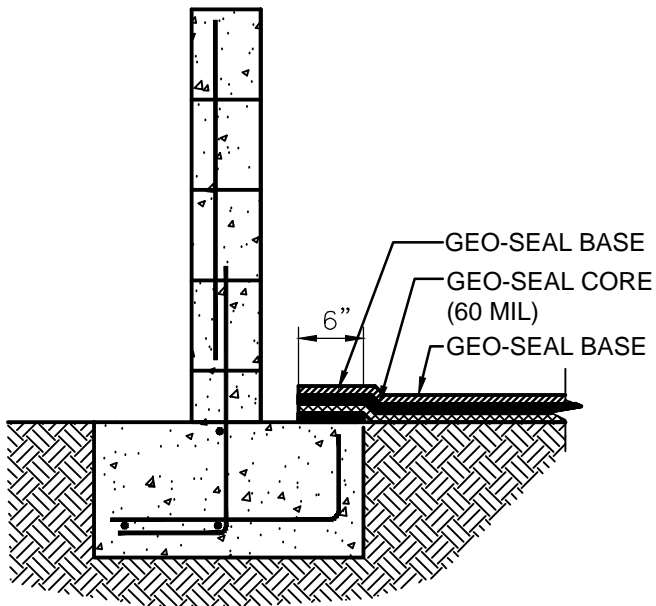
Vapor Intrusion Barrier



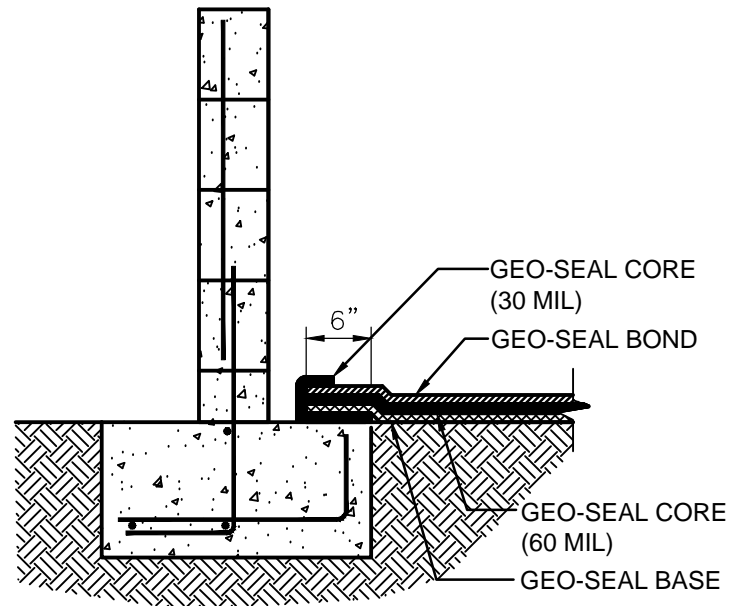
STEP 1



STEP 2



STEP 3



STEP 4

DATE

SCALE

TITLE

TERMINATION
SEQUENCE